

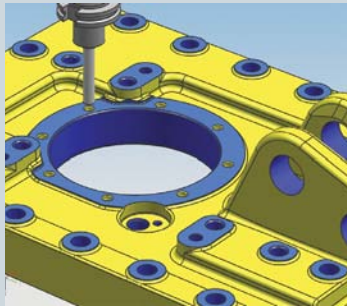
# NX CAM Feature-Based Machining Author Add-On

## Benefits

- Significant improvements in programming efficiency with automated processing of well-defined features
- Consistent processing across the organization with common methods
- Standardization on best practices

## Features

- Modular features
- Interactive feature teaching



## Summary

Automation in NC programming provides a major opportunity for competitive business advantage. The NX™ CAM Feature-Based Machining Author Add-On provides capabilities to create and modify rules-driven automation processes in the Machining Knowledge Editor. These capabilities are especially valuable for shops that want to step up to the next level of NC automation.

## Modular feature definitions

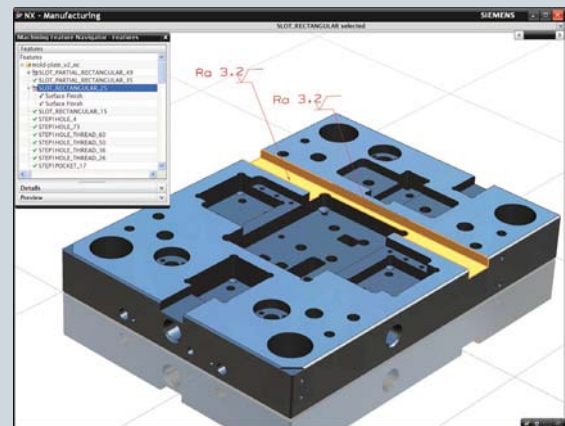
The NX CAM Feature-Based Author defines features as composites of their most basic components. You can assign process options to these feature components, so that changes affect any feature that uses the component. This modularity of process creation keeps the number of processes low and minimizes the maintenance required to keep automation processes up to date.

## PMI integration

You can incorporate model data, including PMI data such as surface finish or roundness, into the feature process rules. This maximizes the intelligence of the automation process with connections to all of the data associated with the solid model.

## Interactive feature teaching

You can define custom feature types interactively in the in graphics environment. Then easily build up machining process definitions from NX CAM Operations and identify process specific parameters.



## Contact

Siemens PLM Software  
Americas 800 498 5351  
Europe 44 (0) 1276 702000  
Asia-Pacific 852 2230 3333

[www.siemens.com/plm](http://www.siemens.com/plm)

© 2011 Siemens Product Lifecycle Management Software Inc. All rights reserved. Siemens and the Siemens logo are registered trademarks of Siemens AG. D-Cubed, Femap, Geolus, GO PLM, I-deas, Insight, JT, NX, Parasolid, Solid Edge, Teamcenter, Tecnomatix and Velocity Series are trademarks or registered trademarks of Siemens Product Lifecycle Management Software Inc. or its subsidiaries in the United States and in other countries. All other logos, trademarks, registered trademarks or service marks used herein are the property of their respective holders. X8 23139 10/11 B

NX

[www.siemens.com/nx](http://www.siemens.com/nx)

SIEMENS