

NX CAM NC Simulation Add-On

Benefits

- G-code driven simulation provides greater accuracy and confidence
- Visual synchronization minimizes cycle times

Features

- Tool path driven simulation
- G-code driven simulation
- Machine tool builder
- Multi-channel synchronization

Summary

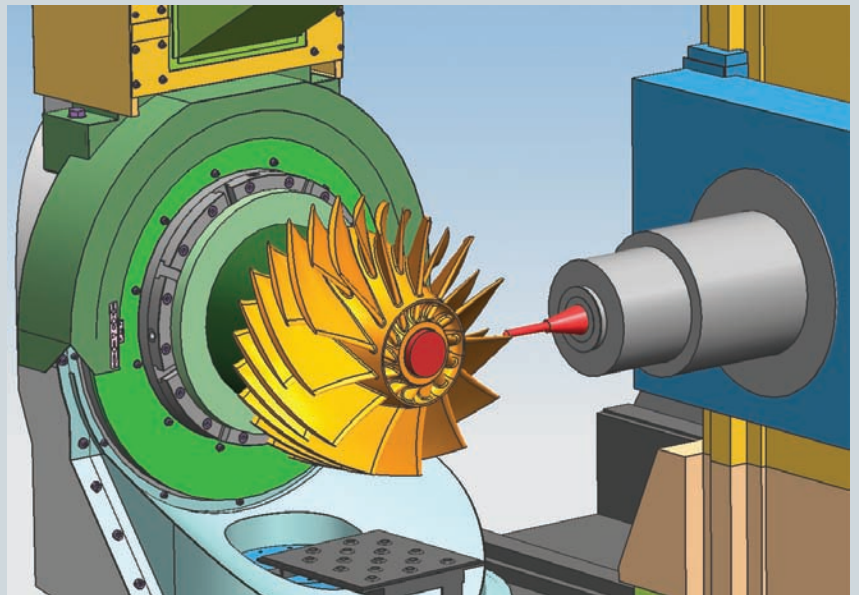
The NX™ CAM NC Simulation Add-On provides a complete kinematic machine environment for visualizing complex motion. Collision checking and multi-channel synchronization are simulated at the g-code level for the most accurate results.

G-code driven simulation

NX CAM drives the machine simulation with postprocessed output to take account of any program content provided by the postprocessor. Home positions, special tool change motion and other content can be inserted by the postprocessor, so surprises are minimized by making sure to simulate the posted g-code.

Tool path driven simulation

You can drive the machine simulation straight from the internal tool path records for the fastest simulation result.



NX

www.siemens.com/nx

SIEMENS

NX CAM NC Simulation Add-On

Machine tool builder

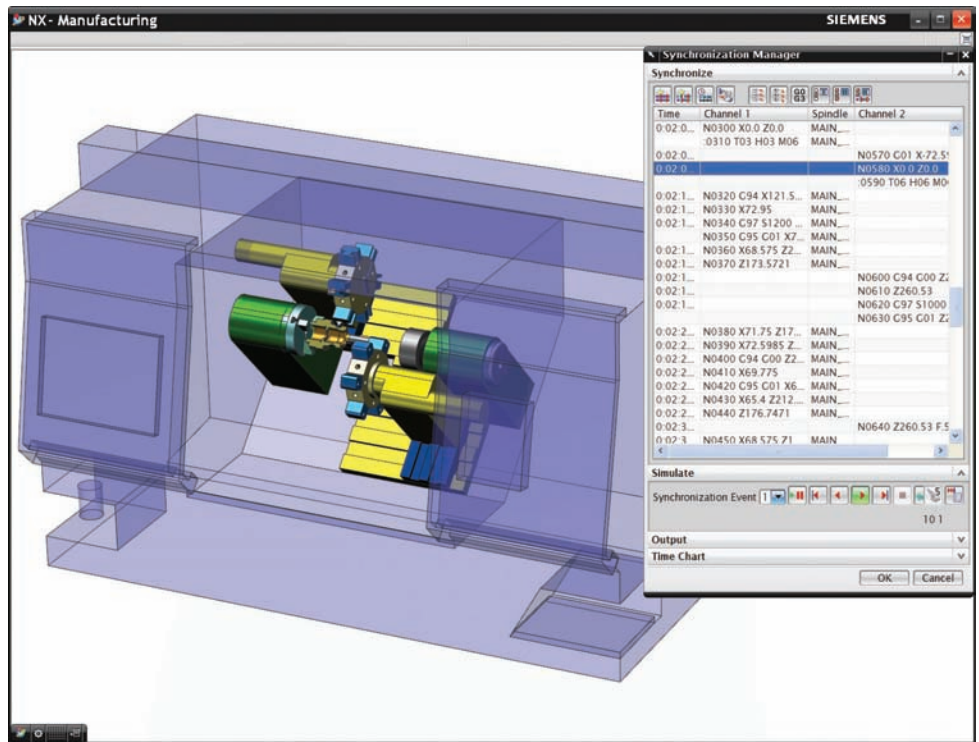
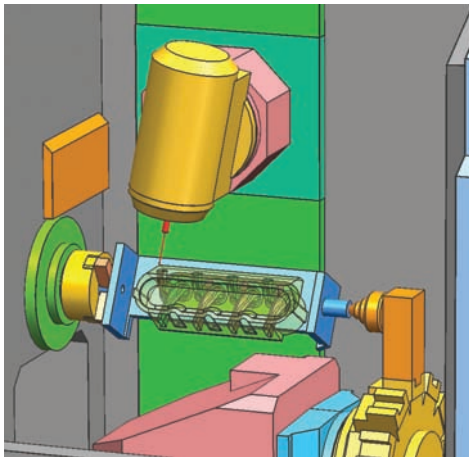
You can assemble components for machine tool models and establish kinematics by specifying pivot points, motion dependencies and travel limits.

Integrated simulation

You can perform machine simulation right from the programming environment so information is at hand when you need it.

Multi-channel synchronization

NX helps you to shrink cycle times for multi-channel machines by optimizing synch codes. The visual system displays timelines and simulates multi-channel motion to ensure that minimum cycles are achieved without interference.



Contact
Siemens PLM Software
Americas 800 498 5351
Europe 44 (0) 1276 702000
Asia-Pacific 852 2230 3333

www.siemens.com/nx

© 2010 Siemens Product Lifecycle Management Software Inc. All rights reserved. Siemens and the Siemens logo are registered trademarks of Siemens AG. D-Cubed, Femap, Geolus, GO PLM, I-deas, Insight, Jack, JT, NX, Parasolid, Solid Edge, Teamcenter, Tecnomatix and Velocity Series are trademarks or registered trademarks of Siemens Product Lifecycle Management Software Inc. or its subsidiaries in the United States and in other countries. All other logos, trademarks, registered trademarks or service marks used herein are the property of their respective holders.
X7 23138 12/10 B